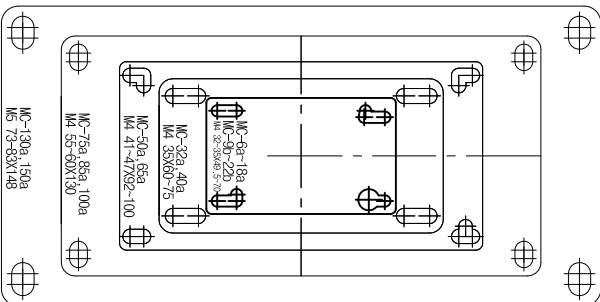
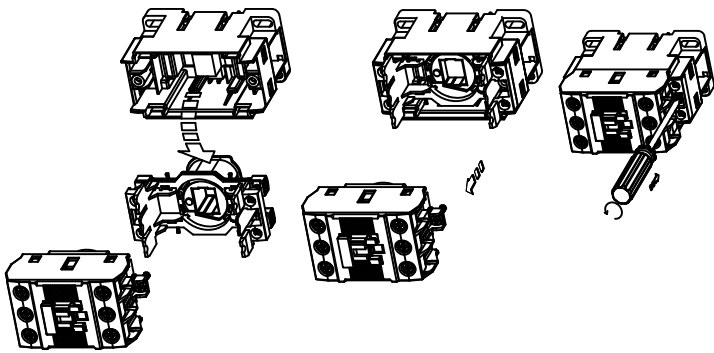


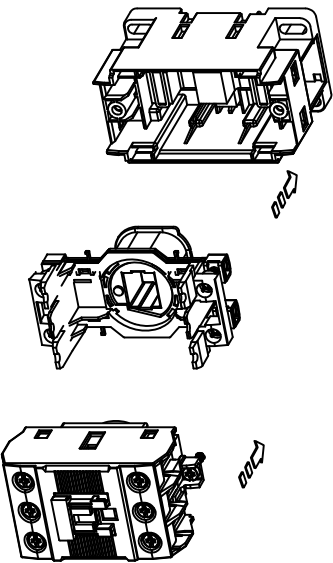
MC-6a~18a, 9b~22b, 32a, 40a, 50a, 65a, 75a, 85a, 100a, 130a, 150a

EXAMPLE: MC-32a

DRILLING TEMPLATE



COIL ↗ Use suitably the allowable voltage range of operating coil



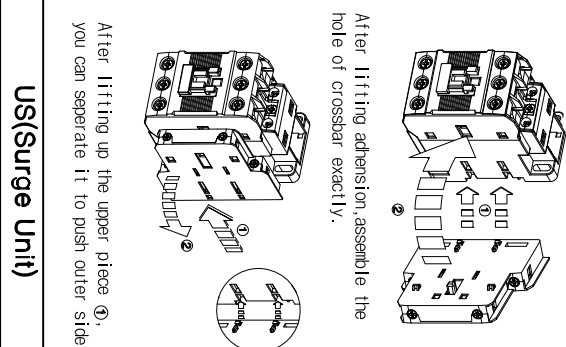
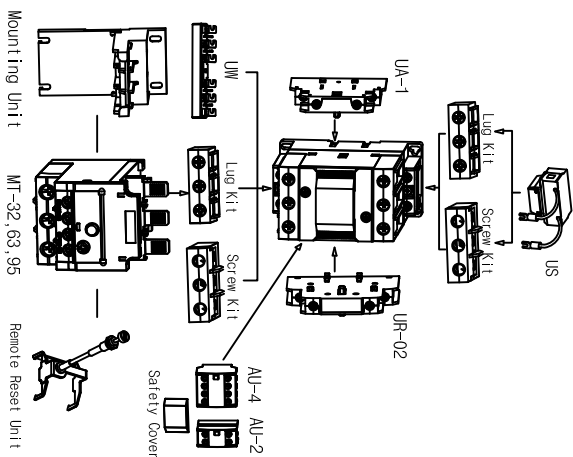
Coil Range	Coil Range
50Hz, 50/60Hz	Min 24V~Max 550V
60Hz	Min 24V~Max 600V
DC Volt	Min 12V~Max 250V

\*For another coil voltage  
Please contact us.

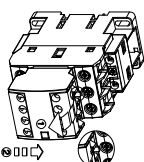
MC-6a~18a, 9b~22b, 32a, 40a, 50a, 65a, 75a, 85a, 100a, 130a, 150a

ACCESSORIES

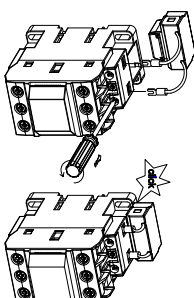
UA-1, UR-02



US(Surge Unit)



After lifting up the Lever ①, you can separate it in direction of ②.



AL-9, 50, 95 AU-2, 4

Mounting Unit

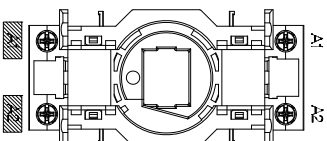
MT-32, 63, 95

Remote Reset Unit

LINE

A1 A2

LOAD



A1	A2	A1	A2
A1	A2	A1	A2
A1	A2	A1	A2
A1	A2	A1	A2